

Maxi-Joint®

No Arch Rubber Flanged Fittings

Style 1100-45, 1100-90, 1100-TF

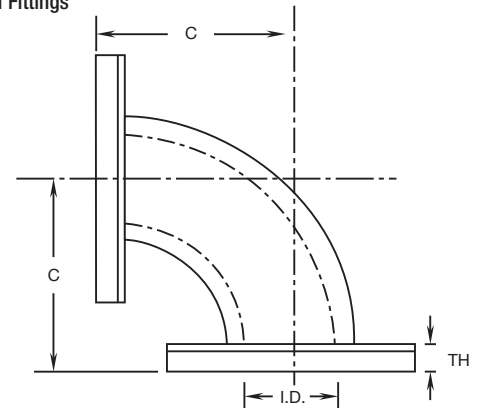
Features:

- The capacity of a flexible connector to absorb noise and vibration is directly proportional to its flexible length; this original design pre-dates the spherical connector and is still preferred by many design engineers and is considered the ultimate in noise and vibration control•
- 250°F continuous service standard, 400°F available
- Versatile hand-built construction, available as reducers both concentric and eccentric, as well as elbows and tees; elbows in long or short radius to ANSI dimensions. Made in the U.S.A.
- Excellent chemical and abrasion resistance
- Integrally flanged design, no gaskets required
- Other standard drilling available, including ASA 300, DIN, PN, JIS, API, and Navy
- Wide variety of tube and cover elastomers available



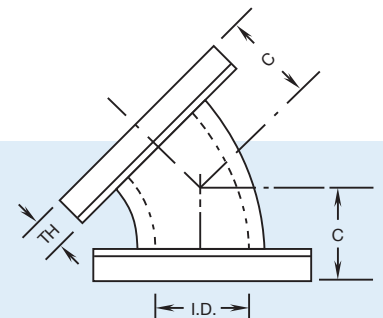
Style 1100-90

Elbow (90°) No Arch Rubber Flanged Fittings



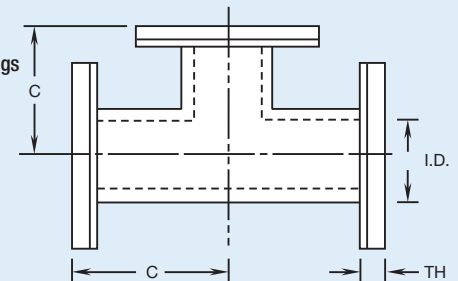
Style 1100-45

Elbow (45°) No Arch Rubber Flanged Fittings



Style 1100-TF

Tee Shaped No Arch Rubber Flanged Fittings



Notes:

- 1.) Contact General Rubber with your design conditions and we will provide a detailed drawing with our proposal. Pressures are not normally as high as our straight Style 1100.

